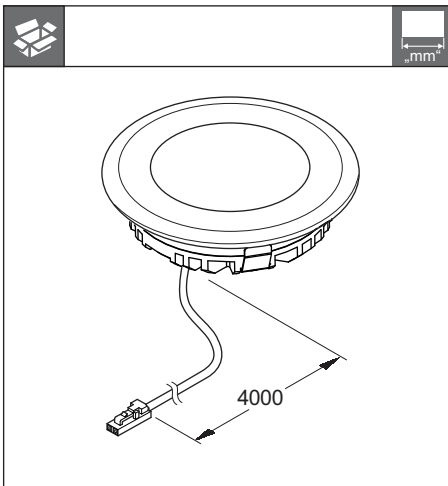




LED 2039

732.28.357

12 V System	K	W	T _A	mm	mm	
833.72.091	3000 K	2.5 W	-20 °C – +35 °C -4 °F – +95 °F	Ø 65 x 16.4	Ø 75 x 26.4	12 V
833.72.092						







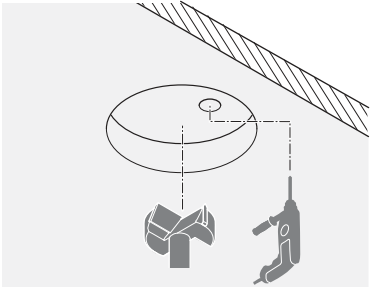
i

100 - 240 V~

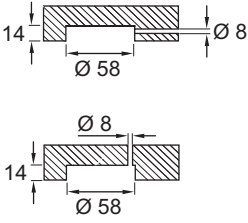
IP65

HDE 04/2015

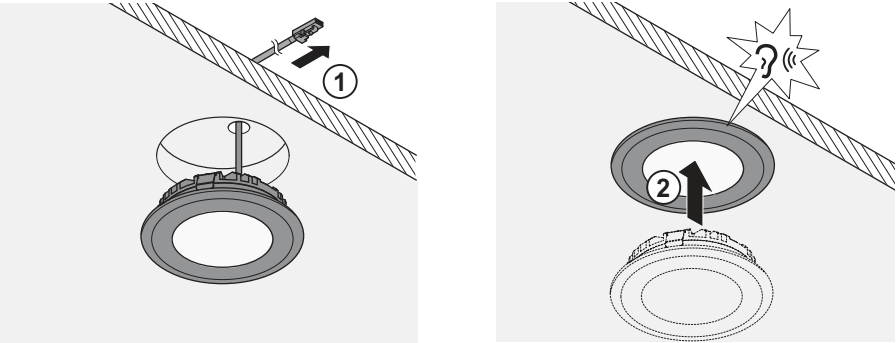
1  58 mm   8 mm  „mm“



i

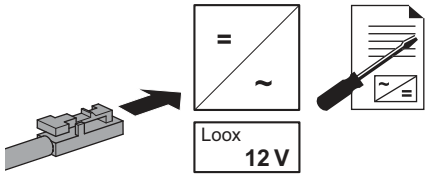



2




732.28.357

3



i 



HDE 04/2015